

Tolerancing NEN 2731(E) Tolerances acc. ISO 2768-mK-(E) / ISO 13920-AE	GPS - geometrical tolerancing acc. ISO 1101 Limits and fits acc. ISO 286	Surface texture acc. ISO 1302
---	---	-------------------------------

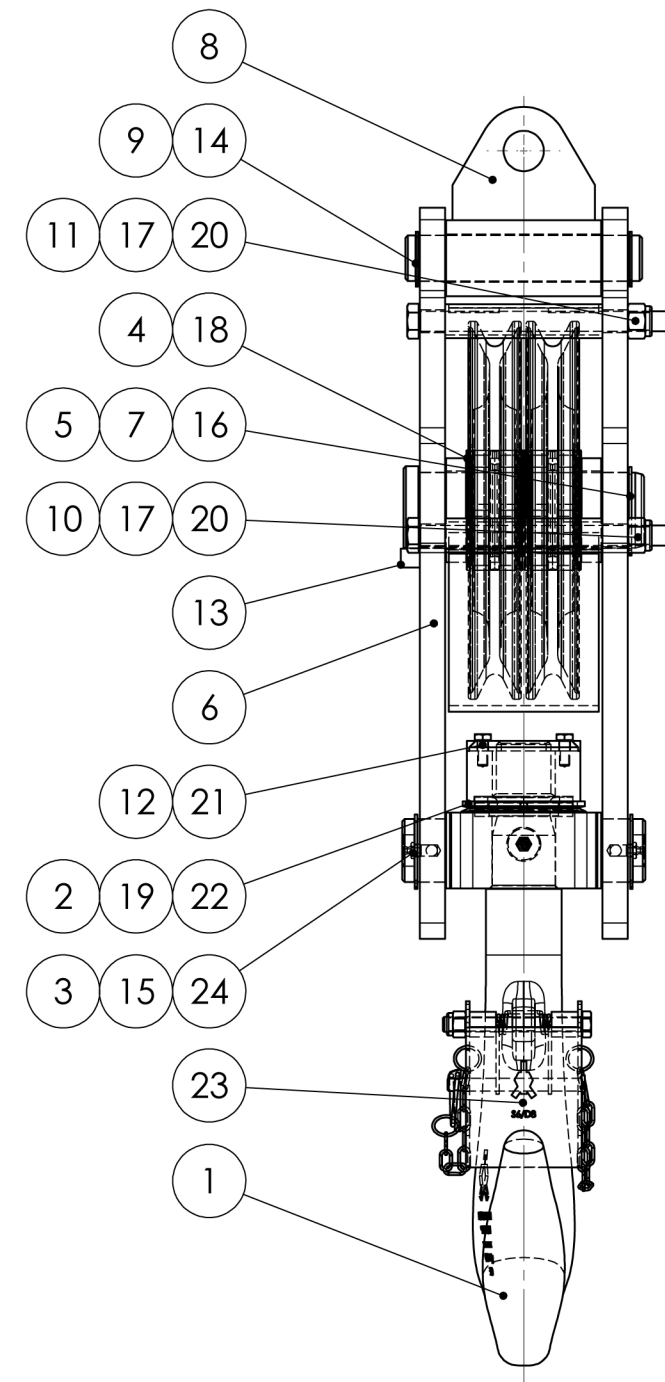
Title: **CRANEBLOCK WLL 16 Mtons [17,5 Ustons]**

Rev. Description:	Drawn: LD	Date: 27-04-11	Projection:
	Checked: JE	Material: -	
	Units: mm	Theoretical weight: 111.5 kg	Sheet: 1 / 2
	Format: A3	Treatment: -	
Scale: 1:5	Drawing Number:	Revision:	
Rev. Date:	Rev. by:	SRB 260.14.2.16.E	00

Ropeblock code:	SRB 260.14.2.16.E	SWL/WLL:	16 Mtons [17,5 Ustons]
Customer ID:	-	Dynamic factor:	-
Wire rope:	ø 14 mm [9/16"]	Load group:	1Bm DIN 15400
Hook size:	6P acc. DIN 15401	Design Acc.:	RB Standard. S.F. 4:1
Target weight:	± 130 kg [± 285 lbs]	Personnel lift SWL/WLL:	-

THIS DOCUMENT AND ALL INFORMATION AND DATA DISCLOSED HEREIN OR HEREWITH ARE THE CONFIDENTIAL AND PROPRIETARY PROPERTY OF ROPEBLOCK AND ARE NOT TO BE USED, REPRODUCED OR DISCLOSED IN WHOLE OR IN PART BY OR TO ANYONE WITHOUT THE WRITTEN PERMISSION OF ROPEBLOCK.

POS.	QTY.	Drawing Number	Title	Material
1	1	01.6.P.E.117.B	Single hook nr. 6 P acc. DIN 15401	StE 355
2	1	02.6.P.81111	HOOKNUT 6P - 81111	S355J2N
3	1	03.60.50.123.23	TRAVERSE FRB 260.14.1.16.E	S355J2N
4	2	04G.260.5012.7.5	SHEAVE 260/60 R7,5 - MACHINING	GGG 50
5	1	05K.60.167	SHAFT ø60 FRB 260.16.1.16	34CrNiMo6
6	2	06.260.20.16.B	CHEEKPLATE SRB 260.14.2.16	S355J2N
7	2	09.82.10.15,5	POS.RING SRB 260.14.2.16	S235J0
8	1	11.60.123.28.32	BECKET SRB 285.1.10	S355J2N
9	1	15.36.188	BECKETPIN KB 450.19.1.18	C22
10	1	18.260.125.R	REEVEGUIDE SRB 260.14.2.16	S235J0
11	1	19.180.125	TOPPLATE KB 280.12.3.20	S235J0
12	1	21.90.25.8	RETAINER 90x25x8	S235J0
13	1	41.15.15.40	NOTCH 15x15x40mm	S235J0
14	2	50.36.2	CIRCLIP 36 A - DIN 471	Steel
15	2	50.50.2	CIRCLIP 50 A - DIN 471	Steel
16	1	50.60.2	CIRCLIP 60 A - DIN 471	Steel
17	4	51.EV.16.200	BOLT M16x200 - DIN 931	8.8
18	2	54.5012PP	Bearing SL04 5012 PP	Steel
19	1	54.81111	Bearing 81111	Steel
20	4	55.EV.16	Nyloc Nut M16 - DIN 985	8.8
21	2	56.EV.08.20	BOLT M8x20 - DIN 933	8.8
22	1	61.85A	Dirtseal 85A	NBR
23	1	64.6.E.B	Heavy duty safety latch kit for S6/D8 - DIN 15401/2	Acc. Spec.
24	3	66.10.01	Lubrication nipple M10x1 - DIN 71412	Steel



Tolerancing NEN 2731 (E) Tolerances acc. ISO 2768-mK-(E) / ISO 13920-AE		GPS - geometrical tolerancing acc. ISO 1101 Limits and fits acc. ISO 286		Surface texture acc. ISO 1302	
Title: CRANEBLOCK WLL 16 Mtons [17,5 Ustons]					
Drawn: LD		Date: 27-04-11		Projection: 	
Checked: JE		Material: -		Sheet: 2 / 2	
Units: mm		Weight: 111.5 kg			
Format: A3		Treatment: -		Revision: 00	
Scale: 1:6		Drawing Number: SRB 260.14.2.16.E			
Rev. Description:		Rev. Date:	Rev. by:		