

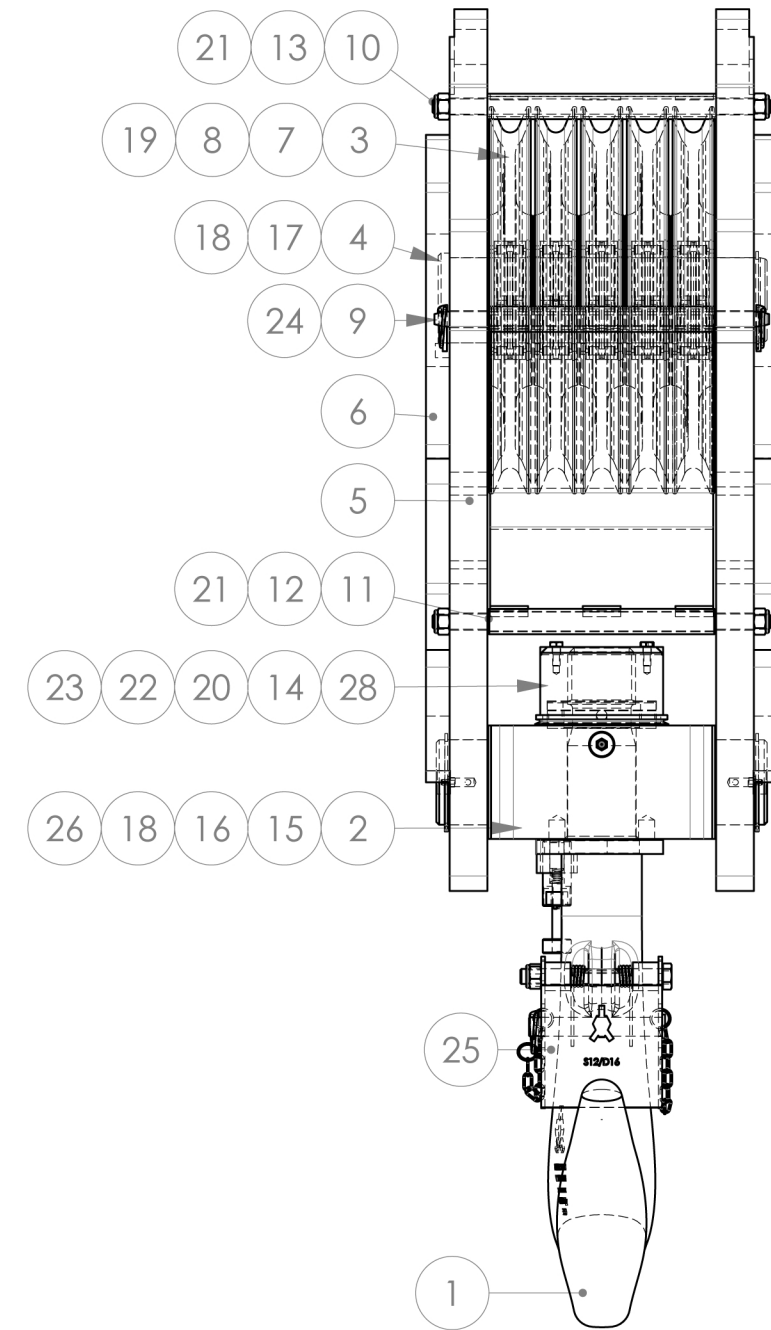
Tolerancing NEN 2731 (E) GPS - geometrical tolerancing acc. ISO 1101
 Tolerances acc. ISO 2768-mK-(E) / ISO 13920-AE Limits and fits acc. ISO 286
 Surface texture acc. ISO 1302

Title:
CRANEBLOCK WLL 55 Mtons [60 UStons]

Ropeblock code:	FRB 355.19.5.55.E	SWL/WLL:	55 Mtons [60 UStons]
Customer ID:	-	Dynamic factor:	-
Wire rope:	ø 19 mm [3/4"]	Load group:	1Bm DIN 15400
Hook size:	12V DIN 15401	Max. subsea depth:	-
Target weight:	500 kg [1100 lbs]	Personnel lift SWL/WLL:	-
Design Acc.:	RB Standard, S.F. 4:1		

Drawn:	PA	Date:	21-10-08	Projection:
Checked:	PA	Material:	-	
Units:	mm	Theoretical weight:	491.9 kg	Sheet: 1 / 2
Format:	A3	Treatment:	-	Revision: 00-A
Scale:	1:8	Drawing Number:	R085406	
Rev. Description: Target weight changed	Rev. Date: 27-06-12	Rev. by: PA		

POS.	QTY.	Drawing Number	Title	Material
1	1	R085338.01	SINGLE HOOK 12V DIN 15401	34CrNiMo6
2	1	R085338.03	TRAVERSE FRB 355.16.5.55	S355J2N
3	5	04G.355.4918.10	SHEAVE 355/90 R10 - MACHINING	GGG 50
4	1	05K.90.324	SHAFT ø90 KB 355.18.5.80	34CrNiMo6
5	2	R085406.06	CHEEKPLATE FRB 355.19.5.55	S355J2N
6	2	R085338.07R	CHEECKWEIGHT FRB 355.16.5.55	S235J0
7	4	R085406.09A	POS. RING FRB 355.19.5.55	S355J2N
8	2	R085406.09B	POS. RING FRB 355.19.5.55	S235J0
9	2	12A.16.354	STUD KB 360.18.5.80	AISI 304
10	2	13.16.358	BAR KB 360.18.5.80	C22
11	2	14.20.242.358	HINGEBAR KB 360.18.5.80	S355J0
12	2	18.355.242	REEVEGUIDE KB 355.16.5.50	S235J0
13	1	19.200.242	TOPPLATE FRB 360.19.6.63	S235J0
14	1	21.130.25.8	RETAINER 130x25x8	S235J0
15	1	33.15.20.30	LOCKING GEAR ø15	S235J0
16	1	34.12.15.67	LOCKING PLATE HOOK 12	S355J2N
17	1	41.15.15.40	NOTCH 15x15x40mm	S235J0
18	3	50.90.3	CIRCLIP 90 A - DIN 471	Steel
19	5	54.4918	Bearing SL01 4918	Steel
20	1	54.81216	Bearing 81216	Steel
21	8	55.EV.16	Nyloc Nut M16 - DIN 985	8.8
22	2	56.EV.08.20	BOLT M8x20 - DIN 933	8.8
23	1	61.130A	Dirtseal 130A	NBR
24	4	63.4	Safety pin ø4	Steel
25	1	64.12.E.B	Heavy duty safety latch kit with locking pin for S12/D16 - DIN 15401/2	Acc. Spec.
26	3	66.10.01	Lubrication nipple M10x1 - DIN 71412	Steel
28	1	02.12.V.81216	HOOKNUT 12V - 81216	34CrNiMo6



Tolerancing NEN 2731 (E) GPS - geometrical tolerancing acc. ISO 1101
Tolerances acc. ISO 2768-mK-(E) / ISO 13920-AE Limits and fits acc. ISO 286
Surface texture acc. ISO 1302

Title:
CRANEBLOCK WLL 55 Mtons [60 UStons]

Drawn: PA	Date: 21-10-08	Projection:
Checked: PA	Material: -	
Units: mm	Weight: 491.9 kg	Sheet: 2 / 2
Format: A3	Treatment: -	
Scale: 1:8	Drawing Number:	Revision: 00-A
Rev. Description: Target weight changed	Rev. Date: 27-06-12 Rev. by: PA	